



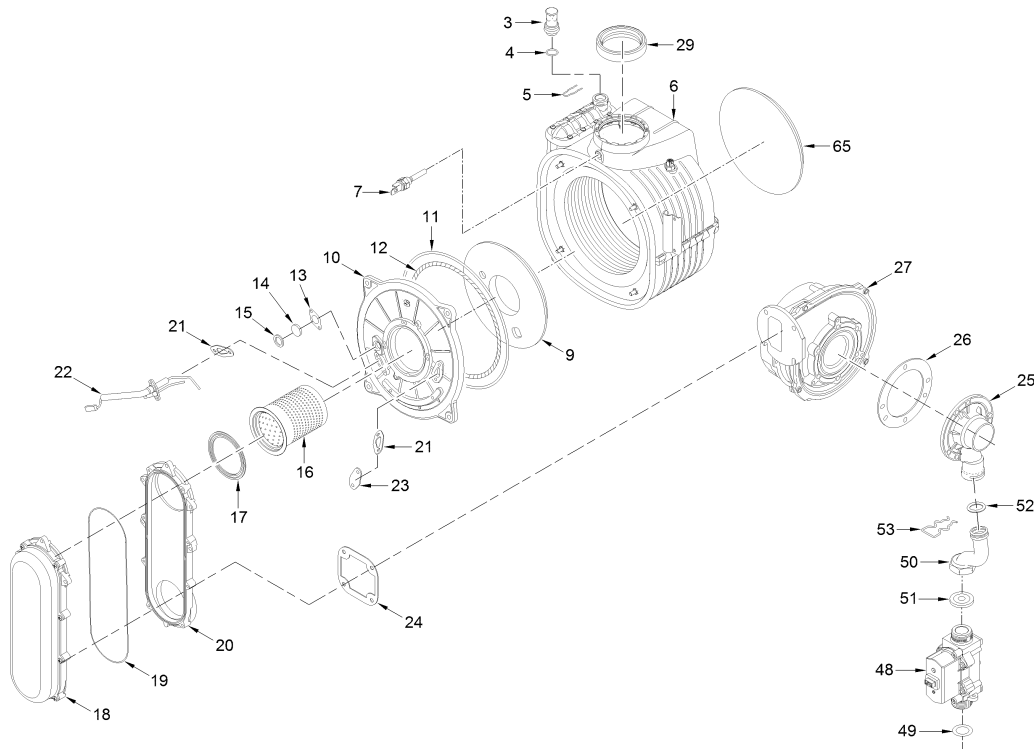
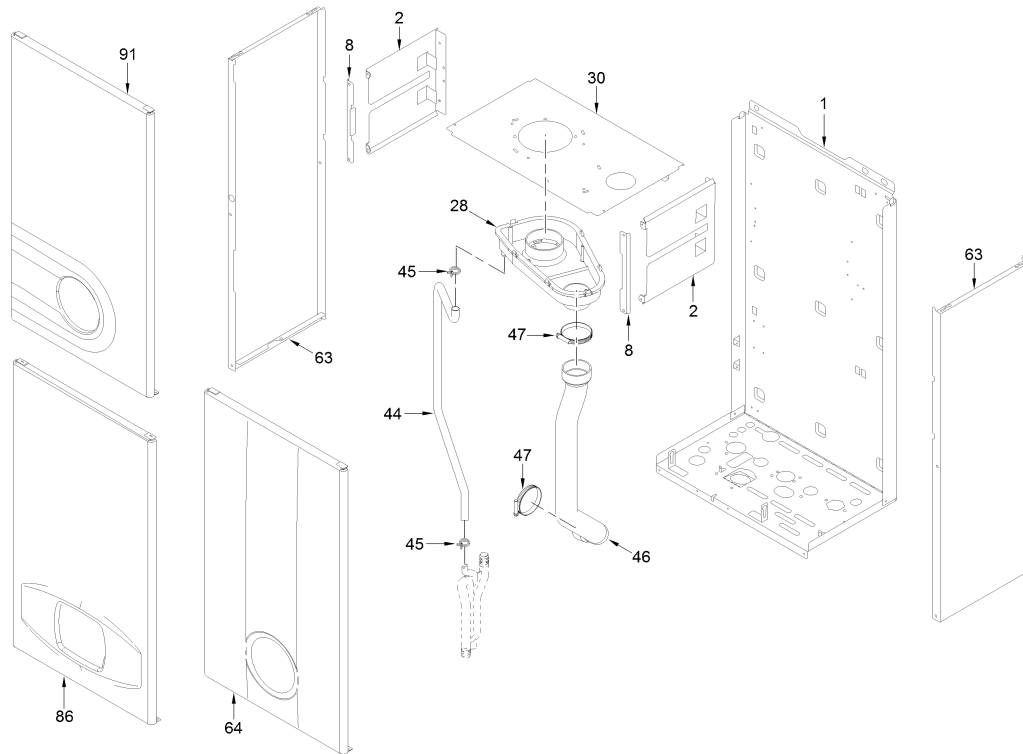
Fonderie Sime S.p.A. - Via Garbo, 27 - 37045 Legnago (VR) - www.sime.it
Tribunale Verona 13531 - R.E.A. VR 171357 - C.C.P. 19423375 - N° Mecc. VR 014435
Capitale Sociale Euro 5.521.200 int. versato - Codice Fiscale/Partita IVA n. IT 01275930236

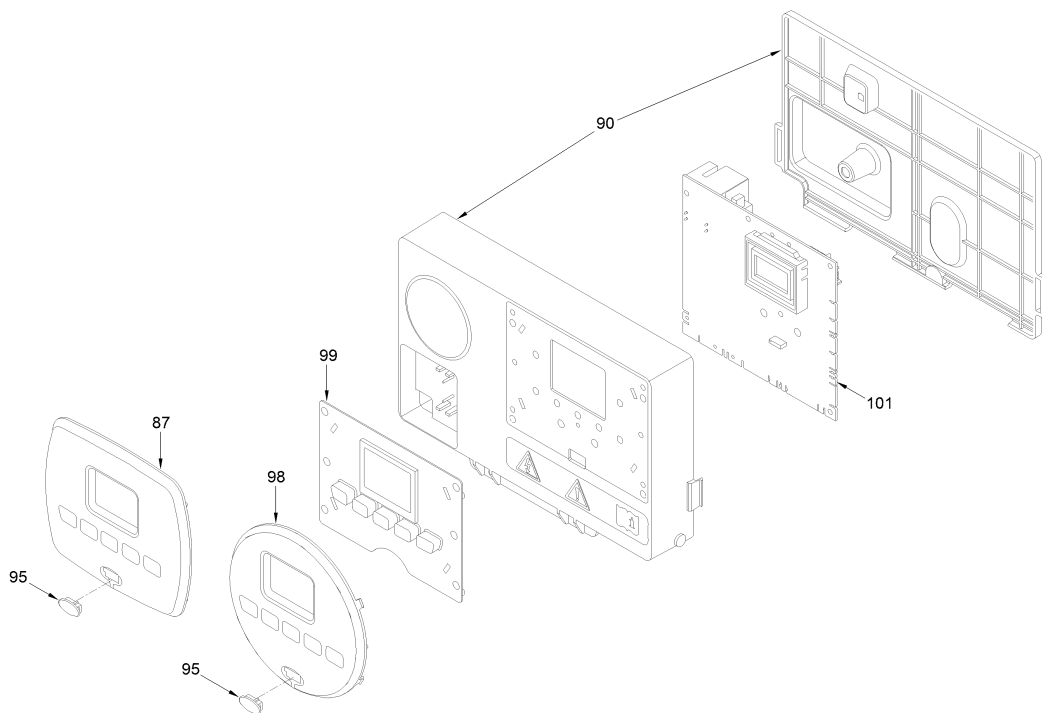
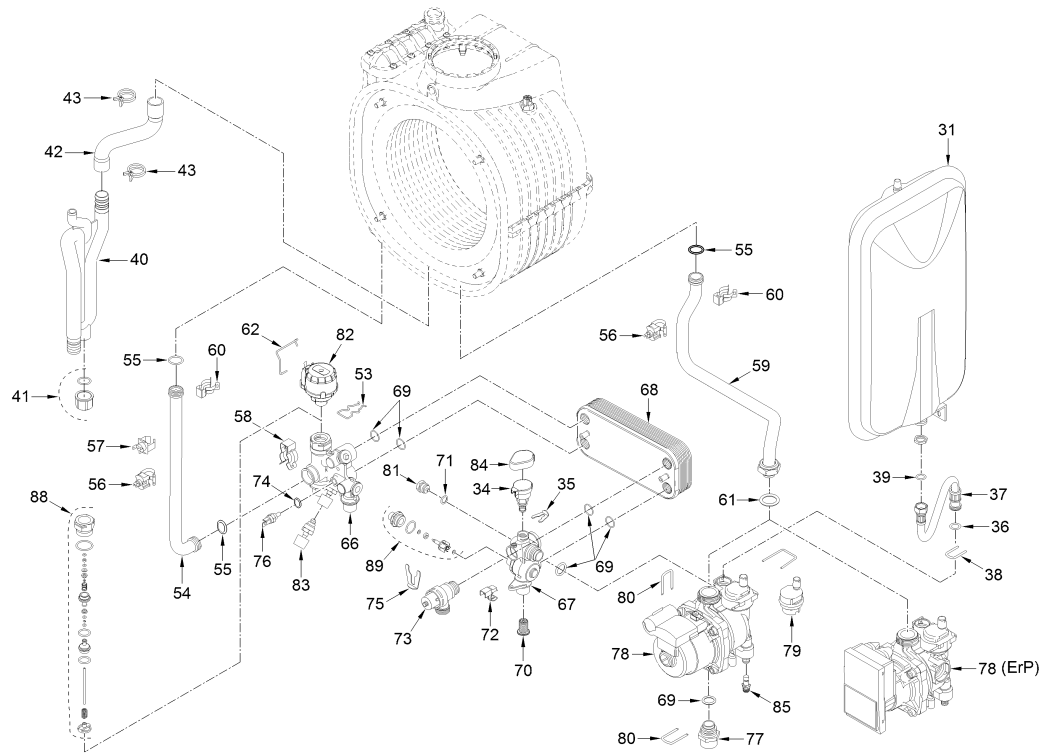
Comfort Ambiente - Via Garbo, 27 - 37045 Legnago (VR)

Tel +39 0442 631111 - Fax Servizio Commerciale: Italia +39 0442 631291 - Estero +39 0442 631293

Fax Servizio Tecnico +39 0442 631292 - Fax Ufficio Acquisti +39 0442 631292 - Fax Amministrazione +39 0442 631336

8114254 CALD.MET. BRAVA SLIM HE 35 ERP





Posiz.	Codice	Descrizione
001	6264560	Boiler fixing bracket
002A	6010891	Support exchangers bracket
003	6147412	Plug for air vent connection
004	6226464	O-ring 115 diam. 11,91x2,62
005	6226624	Spring air vent knob
006A	6278912	Main exchanger body
007	6277130	Probe NTC D.4X40
008	6010892	Support exchangers bracket
009	6269008	Main exchanger door insulation
010	5188361	Main exchanger door
011	6248870	Combustion chamber O-ring
012	6248871	Glass fibre sealing cord
013	6311810	Glass fixing flange
014	6020103	Sight glass
015	6248872	Sight glass gasket
016A	6278359	Premix burner

017	6174828	Gasket for burner flange
018	6278892	Air-gas hose
019	6174819	Air-gas hose gasket
020	6278891	Side low air-gas hose
021	6174809	Gasket for ignition electrode
022	6221670	Ignition-ionisation electrode
023	6285950	Bracket
024	6174816	Gasket for fan flange
025A	6274391	Air/gas mixer
026	6028703	Gasket for duct flange
027	6261412	Fan
028	6278703	Smoke chamber
029	6248855	P.C. inlet/outlet smokes gasket
030	6291150	Upper protection shield
031	5183729	Rectang. expans.vessel 9 l. 3/8
032	6146101	Hydrometer
033	6226628	Hydrometer Fixing spring
034	6273608	Water pressure transducer
035	6226639	Spring clip
036	6226476	ORing diam.15x2
037	6017405	Flexible pipe M.F. 3/8" L=300
038	6226643	Pipe fixing spring
039	2030226	Gasket Ø 10,2x14,8x2
040	6277211	Water trap
041	6119381	Cap G 1/2"
042	6034155	Condensate drainage pipe
043	2051123	Clamp diam. 24,2
044	1010215	Rubber pipe dia. 15x2,5
045	2051120	Clamp diam. 17,3
046	6001162	Air intake pipe 40
047	2051203	Hose clamp Ø 40-60
048	6243838	Gas valve
049	2030249	Gasket Ø 24x17x3
050A	6277444	Pipe connecting gas valve-mixer
051A	6050472	Nozzle 650
		MET / GPL
052	6226477	Rubber gasket OR Ø 17x3
053	6226636	D.H.W. elektrovalve fix.spring
054	6227462	Flowing pipe to C.H. system
055	6226412	O-ring 3068
056	6231372	Temperature sensor
057	6146729	100°C safety stat
058	6226601	Spring for heat exchanger conne
059	6227539	Return pipe from C.H. system
060	6226619	Spring for heat exchanger conne
061	2030267	Piracriten gasket Ø 30x17x2
062	6226638	Divertor valve motor spring cli
063	6304480	casing left/right side panel
064	6325010	Casing front panel
065	6281545	Replacement rear insulat. kit
066	6265870	C.H. flow manifold
067	6265830	C.H. return manifold
069	6226475	ORing diam.18,64x3,53
070	6222003	D.H.W. filter
071	2030225	Gasket Ø 5,5x11x2
072	6131440	Flowmeter sensor
073	6040225	Pressure relief valve 1/2" 3 ba
074	6022010	Sensor gasket
075	6226645	Spring clip
076	6231351	Plunged sensor
077	6120560	Pump nipple 3/4"
078C	6272323	Modulating circulating pump
079	6013182	Automatic air vent
080	6226644	Spring clip for rotating connec
081	6147401	Plug 1/4"
082	6087332	Motor for diverting valve
083	6319639	Filling cock
084	6319650	Bitron transducer cap
088	6319645	Three-way plates group
089	6319644	Flowmeter group
090	6304720	Control panel
095	6305140	Rubber cap
098	6304831	Interface panel
099	6305131	Rubber button
101	6324920	Main P.C.B.
700	6281534	Gaskets kit
701	6319695	Murelle-Format-.....o-ring kit
702	6211794	Peephole kit

706	6323875	6 pole cable connector CN12
707	6323876	4 pole cable connector CN14
709	6323872	9 pole cable connector CN1
714	6319700	Springs / clamps kit DIN
715	5202551	Complete control panel
716	6325626	Pump-fan 4 pole connect. CN13
717	6325627	6 pole cable connector CN2
718	6325628	14 pole cable connect.CN15+CN5