



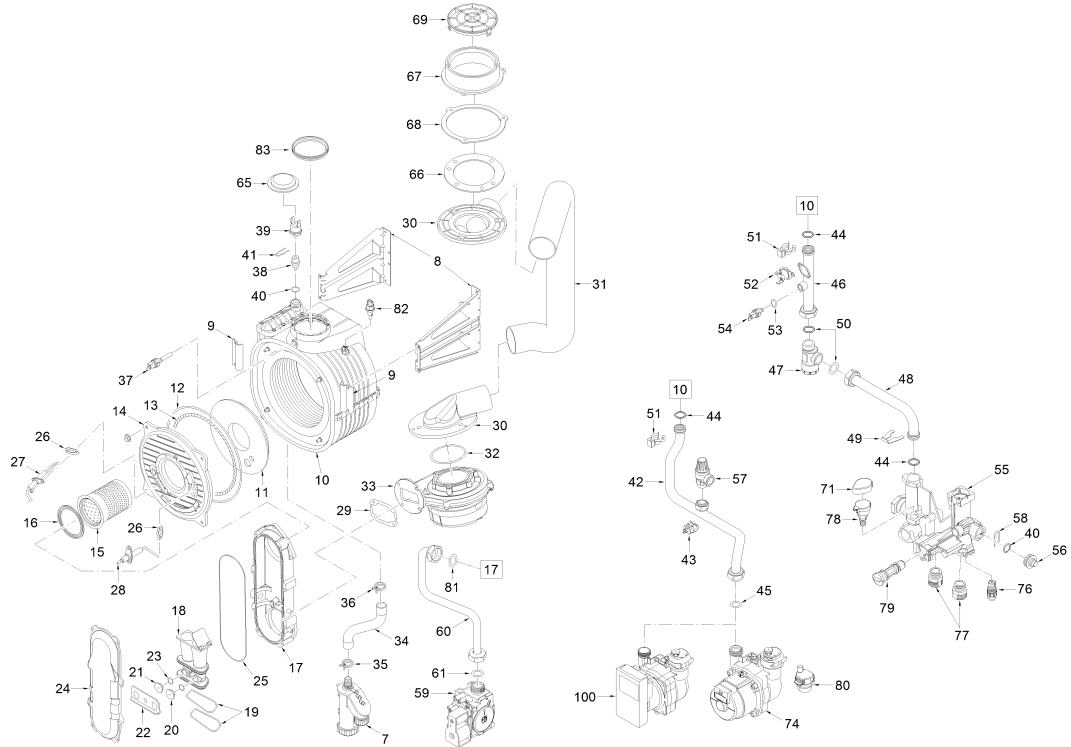
Fonderie Sime S.p.A. - Via Garbo, 27 - 37045 Legnago (VR) - www.sime.it
Tribunale Verona 13531 - R.E.A. VR 171357 - C.C.P. 19423375 - N° Mecc. VR 014435
Capitale Sociale Euro 5.521.200 int. versato - Codice Fiscale/Partita IVA n. IT 01275930236

Comfort Ambiente - Via Garbo, 27 - 37045 Legnago (VR)

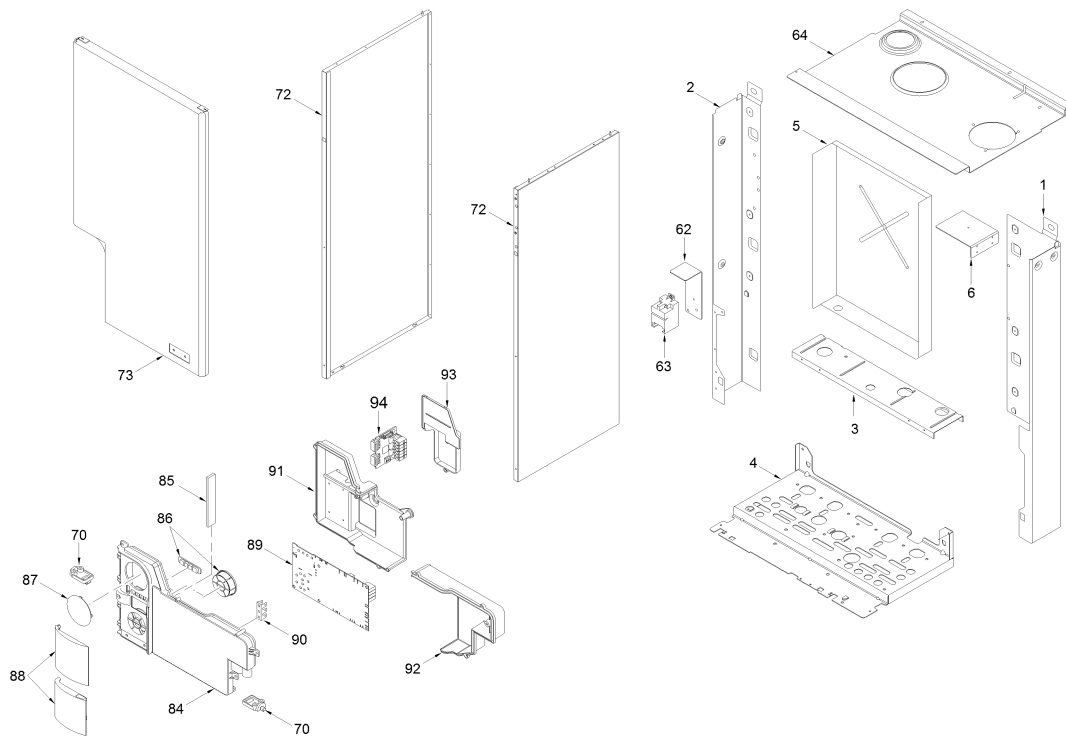
Tel +39 0442 631111 - Fax Servizio Commerciale: Italia +39 0442 631291 - Estero +39 0442 631293

Fax Servizio Tecnico +39 0442 631292 - Fax Ufficio Acquisti +39 0442 631292 - Fax Amministrazione +39 0442 631336

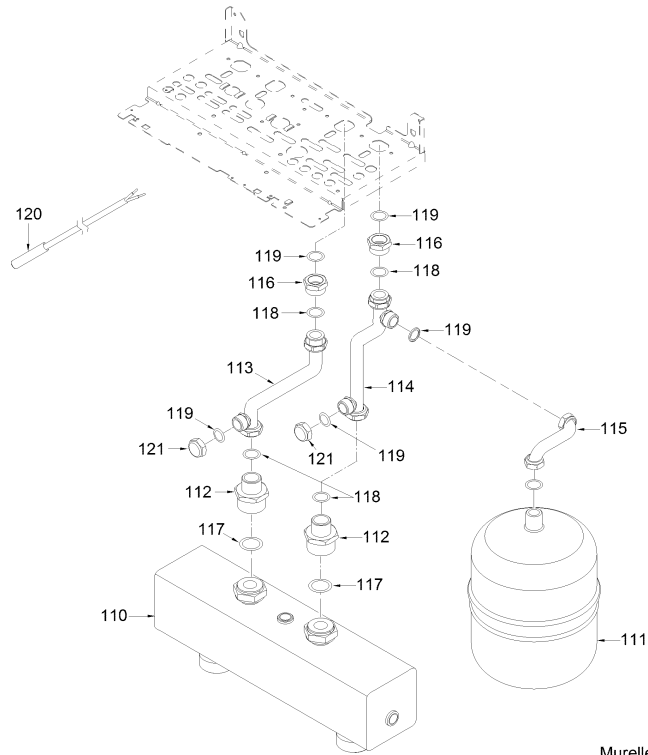
8111200 CALD.MUR.MET.MURELLE HE 35 R M



MURELLE HE 35 R / R M



IT - Kit compensatore idraulico
 UK - Hydraulic compensator kit (Export)
 FR - Kit compensateur hydraulique (Etranger)
 ES - Kit compensador hidráulico (Extranjero)



Murelle HE 35 R

Posiz.	Codice	Descrizione	
001	6138533	Right hand side frame part	
002	6138632	Left hand side frame part	
003	6255431	Expansion vessel lower support	
004	6138894	Frame assembly lower side	
005	6266081	Rear panel	
006	6256751	Upper protection fixing bracket	
007	6277207	Water trap	
008	6010831	Main exchanger supporting brack	
009	6010829	Main exchanger fixing bracket	
010	6278910	Main exchanger body	
011	6269008	Main exchanger door insulation	
012	6248870	Combustion chamber O-ring	
013	6248871	Glass fibre sealing cord	
014	5188360	Main exchanger door	
015	6278357	Burner	
016	6174823	Gasket for burner flange	
017	6278813	Air-gas hose lower side	
018	5200301	Air/gas mixer assembly	
019	6226470	ORing 52,07 x 2,62	
020	6322303	Round nozzle Ø 3,50	MET
020A	6322304	Round nozzle Ø 2,80	GPL
021	6322353	Hexagonal nozzle Ø 4,00	MET
021A	6322354	Hexagonal nozzle Ø 3,00	GPL
022	6267119	Nozzle locking bracket	
023	6226403	O-ring 2031	
024	6278812	Air-gas hose upper side	
025	6226465	O-ring Ø 183,83x2,62	
026	6174809	Gasket for ignition electrode	
027	6221632	Ignition electrode	
028	6221623	Ionisation electrode	
029	6174816	Gasket for fan flange	
030	6034305	Elbow flange	
031	6001153	Pipe Ø 39	
032	6226410	O-Ring Ø 63 x 3	
033	6261405	Fan	
034	6034155	Condensate drainage pipe	
035	2051122	Clamp diam. 22,1	
036	2051123	Clamp diam. 24,2	
037	6277130	Probe NTC D.4X40	
038	6112330	Bush thermostatic	
039	6146728	Limit stat auto reset 80°C	
040	6226464	O-ring 115 diam. 11,91x2,62	
041	6226624	Spring air vent knob	
042	6227441	C.H. return pipe	
043	6231360	Temperature sensor	
044	6226412	O-ring 3068	

045	6226457	O-ring 12bis diam. 16x1,90
046	6277721	Pipe connect. exchanger-C.H fil
047	6295501	C.H. filter 3/4" M x 3/4" M
048	6277729	Pipe connect. C.H. filter-C.H.
049	6226626	Pipe fixing spring
050	2030252	Piracriten gasket Ø 16x24,5x2
051	6226619	Spring for heat exchanger conne
052	6146701	100°C safety stat
053	6022010	Sensor gasket
054	6231351	Plunged sensor
055	6319696	C.H. Technyl manifold group
056	6119371	Plastic plug
057	6040212	Press. relief valve 1/2" 3.5 ba
058	6226627	Expansion vassel fixing spring
059	6243837	Gas valve
060	6277423	Pipe connecting gas valve-mixer
061	2030228	Gasket Ø 17x24x2
062	6256750	Transformer fixing bracket
063	6098315	Ignition transformer
064	6010865	Upper protection
065	6226754	Rubber plug
066	6028703	Gasket for duct flange
067	6288011	Diam.80 air intake
068	6028707	Air intake gasket
069	6190002	Air inlet grid ø 80
070	6302000	Plastic pin
071	6319650	Bitron transducer cap
072	6304430	casing left/right side panel
073	6304231	Casing front panel
076	6319603	Discharger cock
077	6120533	C.H Nipple
078	6273608	Water pressure transducer
079	6319641	By-pass 2 (new)
080	6013182	Automatic air vent
081	2030255	Gasket Ø 12,5x18,5x3
083	6248828	Air inlet gasket Ø80
084	6304700	Control panel
085	6305160	Guidelight with led
086	6305120	Kit Rubber button
087	6247327	Cap for time programmer
088	6304890	Flap door assembly
089	6301480	Main PCB
090	2211610	Earth faston
091	6305000	Cover
092	6305010	connection cover
093	6305020	Time programmer cover
094	6301465	PCB expansion
100	6272322	Modulating circulating pump
110	6216312	Hydraulic compensator
111	6245108	D.H.W. expansion vessel I. 8
112	2040250	Nipple 1-1/2" x 1"
113	6216251	C.H. flow pipe
114	6227442	C.H. return pipe
115	6227698	Pipe connecting expans. vessel
116	6104702	Adaptors M.F. 1" x 3/4"
117	2030254	Gasket Ø 33x44x3
118	2030257	Gasket diam. 30x22x3
119	2030249	Gasket Ø 24x17x3
120	6231331	D.H.W. tank sensor
121	6229550	Plug 3/4"
700	5198890	Technyl hydraulic group
701	6319699	Split pin kit for hydraulic gro
702	6319698	O-ring kit for hydraulic group
703	6211792	Hydraul. group Bitron caps kit
706	5185140	Conversion kit to LPG
708	6186587	Ionisation electrode cable
709	6127214	Main cable L=1500
710	6316202	Connector 4 poli CN6
711	6316203	Connector 4 poli CN4
712	6316204	Connector 8 poli CN7
713	6316213	3 pole cable connector CN14
714	6316280	4 pole cable connector CN12
715	6319158	4 pole cable connector
716	6319156	9 pole cable connector
717	6319144	14 pole female cable connect.
718	6319165	5 pole cable connector
720	5197118	Control panel x modul.circul.pu

721	6319147	Modul.pump 3 pole female connec
722	6316200	Connector 2 poli
723	6316201	Connector 4 poli
724	6281545	Replacement rear insulat. kit